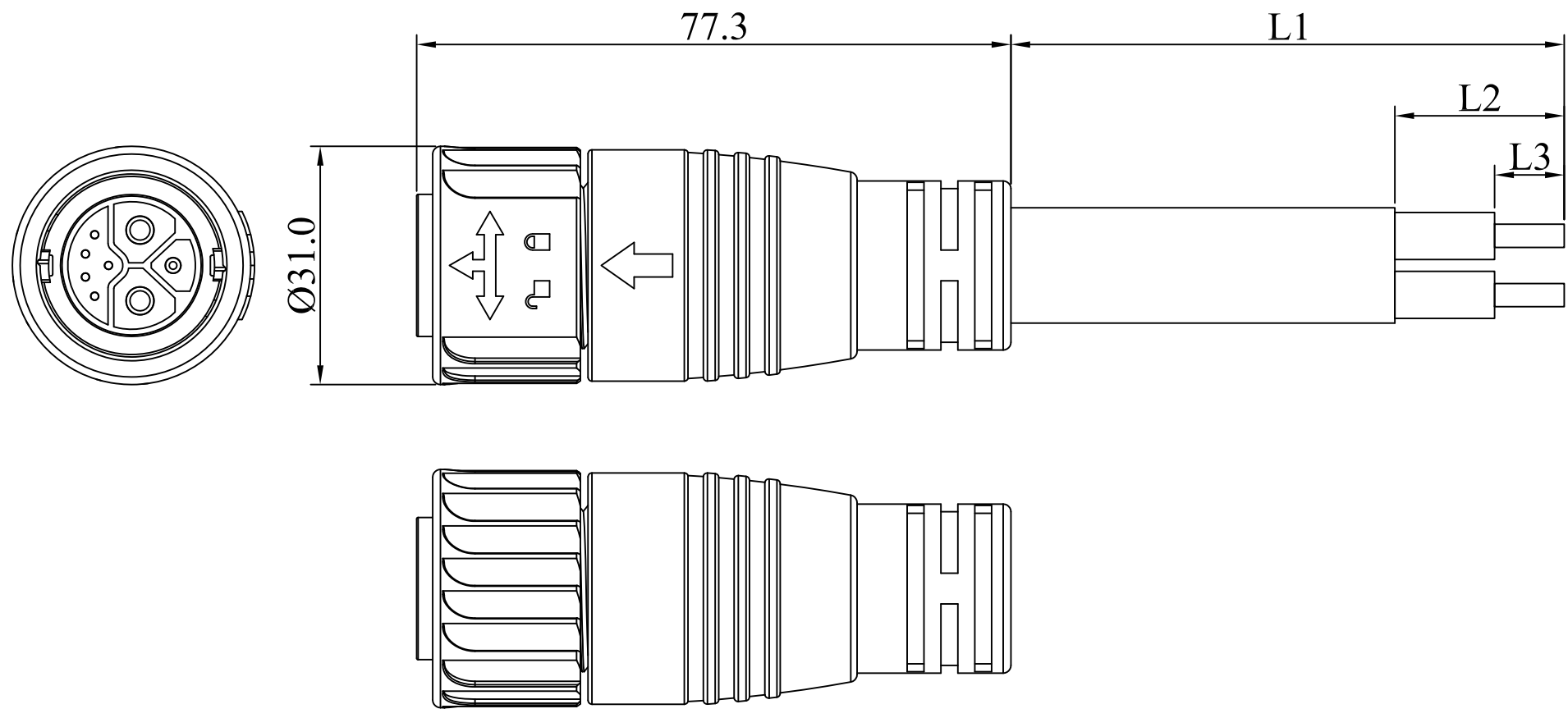


REV	ZONE	ECN NO.	DESCRIPTION	DESIGN	DATE
A1			Design	xiaojie	2019-02-28

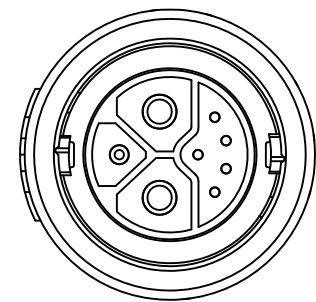
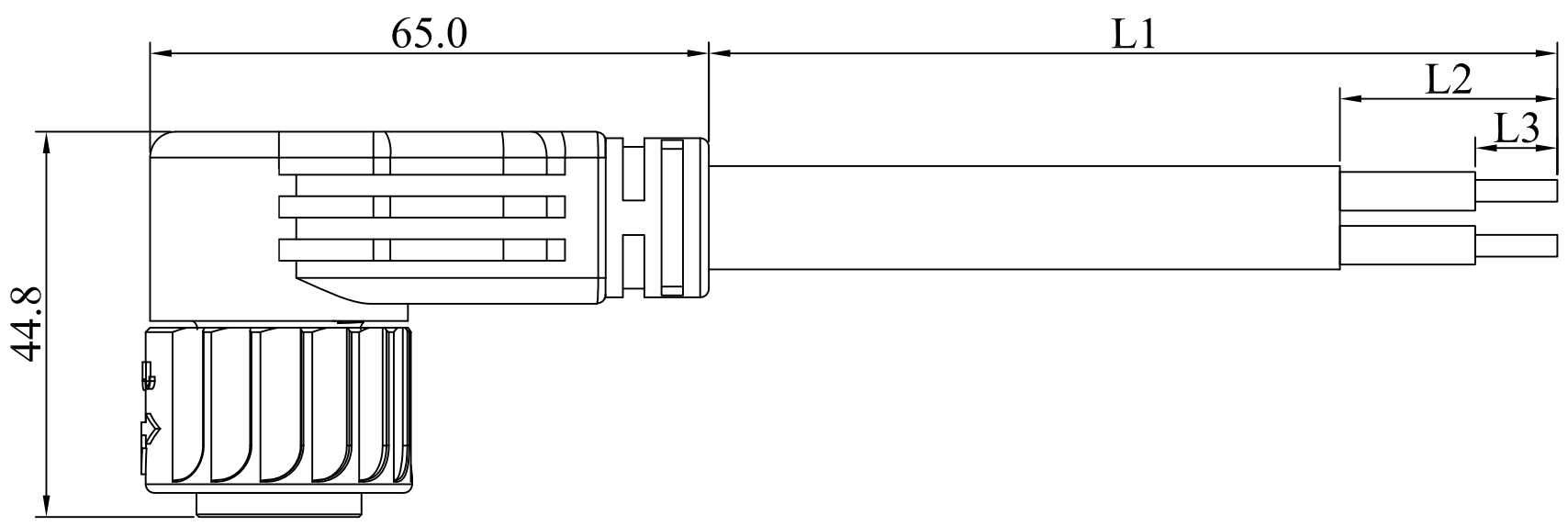


Remark:

1. Terminals: $\phi 3.6\text{mm}$ $\phi 2.0\text{mm}$ $\phi 1.0\text{mm}$ copper alloy (gold-plated);
2. Plastic material: Nylon;
3. Cable: 5*22AWG+1*16AWG+2*9AWG;
4. Protection level: IP67;
5. Rated current: 2*50A+1*12A+5*2A;
6. Withstanding voltage: 500V+500V+60V;
7. Insulation resistance: $>500\text{M}\Omega$;
8. RoHS compliant.
9. Mating Cycle: 5000 times

GENERAL TOLERANCE		FILE NO.		DRAWN	xiaojie	SCALE	N/A
X. ± 1.0	X.* $\pm 1^*$	TITLE	M23 2+1+5 PIN male cable	CHECKED	DW. huang	UNITS	mm
.X ± 0.5				APPROVED	MT. chen		
.XX ± 0.2	.X* $\pm 0.5^*$	PART NO	51-105311-01-0000	DATE	2019-2-28		
.XXX ± 0.05		REV.					
SHEET	1/1	Q'TY	/	A1			

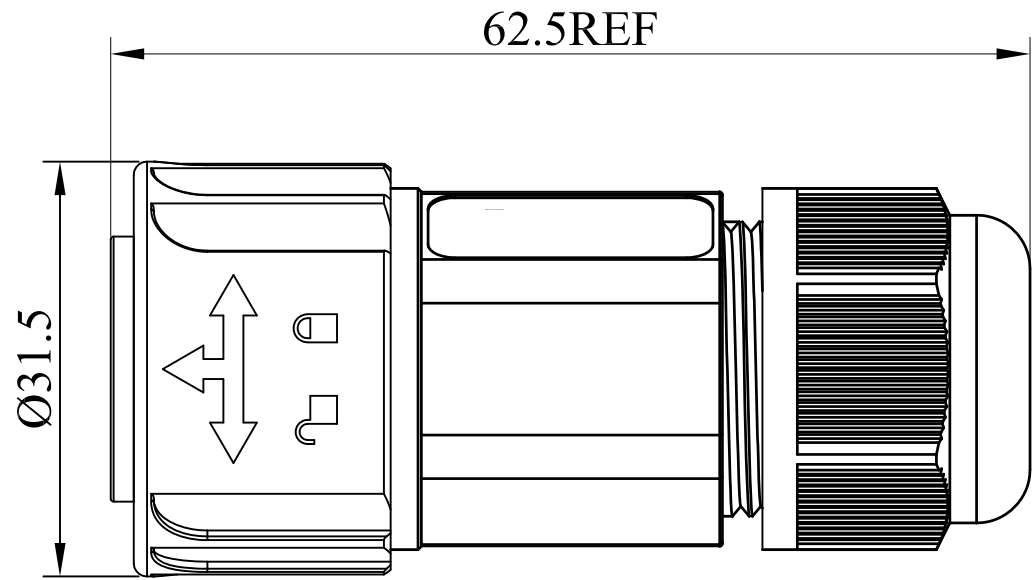
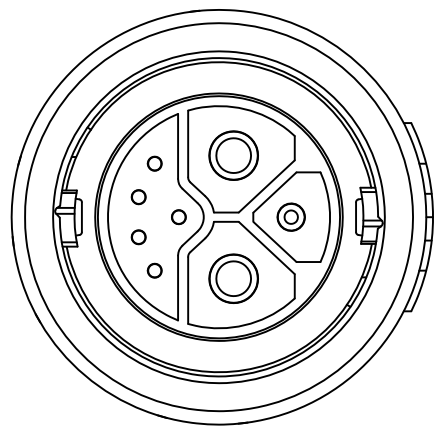
REV	ZONE	ECN NO.	DESCRIPTION	DESIGN	DATE
A1			Design	xiaojie	2019-02-28



- Remark:
1. Terminals: $\phi 3.6\text{mm}$ $\phi 2.0\text{mm}$ $\phi 1.0\text{mm}$ copper alloy (gold-plated);
 2. Plastic material: Nylon;
 3. Cable: 5*22AWG+1*16AWG+2*9AWG;
 4. Protection level: IP67;
 5. Rated current: 2*50A+1*12A+5*2A;
 6. Withstanding voltage: 500V+500V+60V;
 7. Insulation resistance: >500M Ω ;
 8. RoHs compliant.
 9. Mating Cycle: 5000times

GENERAL TOLERANCE		FILE NO.		DRAWN	xiaojie	SCALE	N/A
X. ± 1.0	X.* $\pm 1^\circ$	TITLE	M23 2+1+5PIN 90° male cable	CHECKED	DW. huang	UNITS	mm
.X ± 0.5				APPROVED	MT. chen		
.XX ± 0.2	.X* $\pm 0.5^\circ$	PART NO	51-105315-01-0000	DATE	2019-2-28		
.XXX ± 0.05		REV.					
SHEET	1/1	Q'TY	/	A1			

REV	ZONE	ECN NO.	DESCRIPTION	DESIGN	DATE
A1			Design		2019-2-28

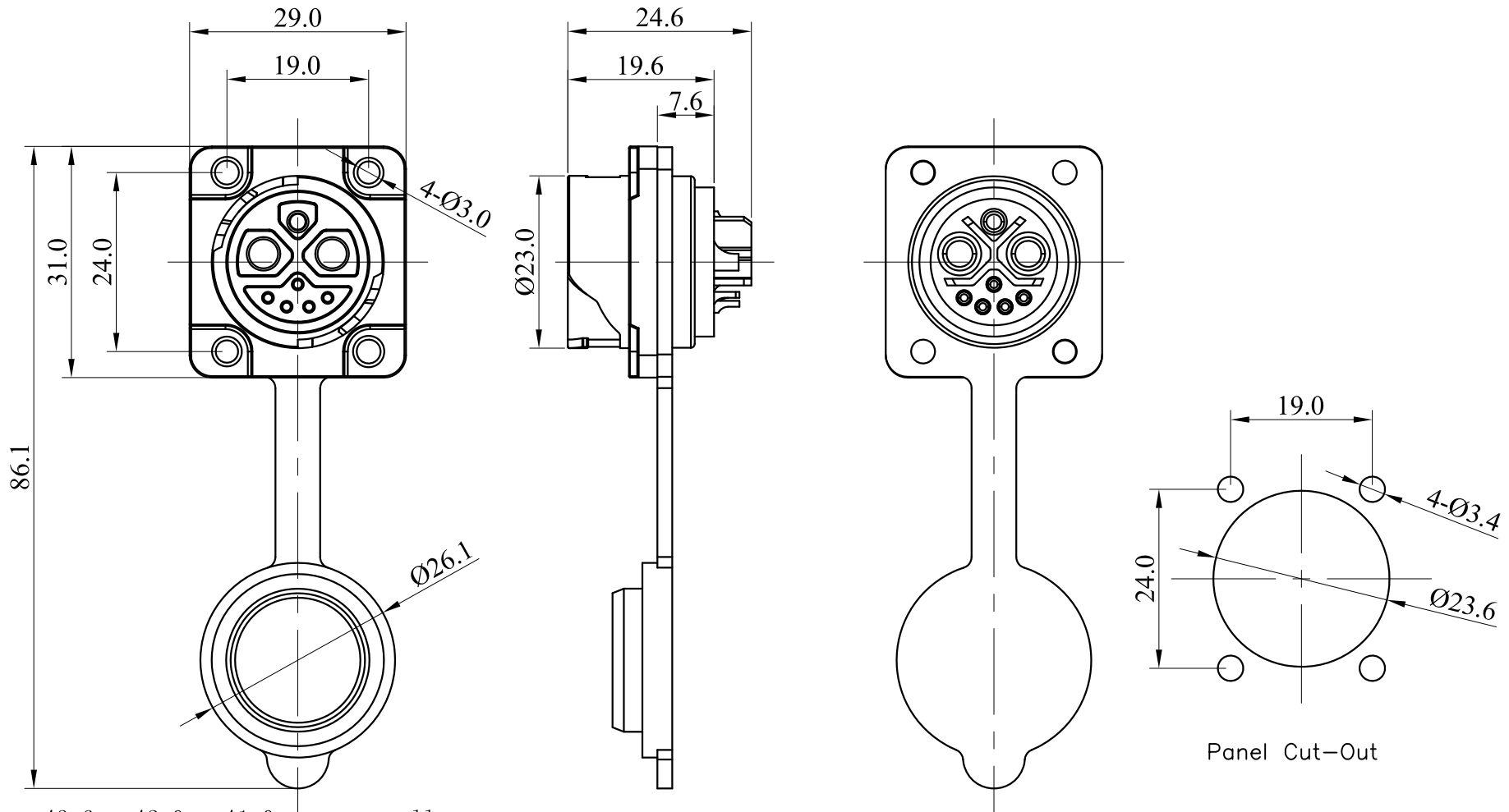


Remark:

1. Terminals: $\phi 3.6\text{mm}$ $\phi 2.0\text{mm}$ $\phi 1.0\text{mm}$ copper alloy (gold-plated);
2. Plastic material: Nylon;
3. Cable: 5*22AWG+1*16AWG+2*9AWG;
4. Protection level: IP67;
5. Rated current: 2*50A+1*12A+5*2A;
6. Withstanding voltage: 500V+500V+60V;
7. Insulation resistance: $>500\text{M}\Omega$;
8. RoHs compliant.
9. Mating Cycle: 5000times

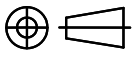
GENERAL TOLERANCE		FILE NO.		DRAWN	xiaojie	SCALE	N/A
.X ± 1.0	.X* $\pm 1^{\circ}$	TITLE	M23 2+1+5 PIN male connector	CHECKED	DW. huang	UNITS	mm
.X ± 0.5				APPROVED	MT. chen		
.XX ± 0.2	.X* $\pm 0.5^{\circ}$	PART NO	51-105311-01	DATE	2019-2-28		
.XXX ± 0.05		REV.					
SHEET	1/1	Q'TY	/	A1			

REV	ZONE	ECN NO.	DESCRIPTION	DESIGN	DATE
A			初版发行	xiaojie	2019-2-28

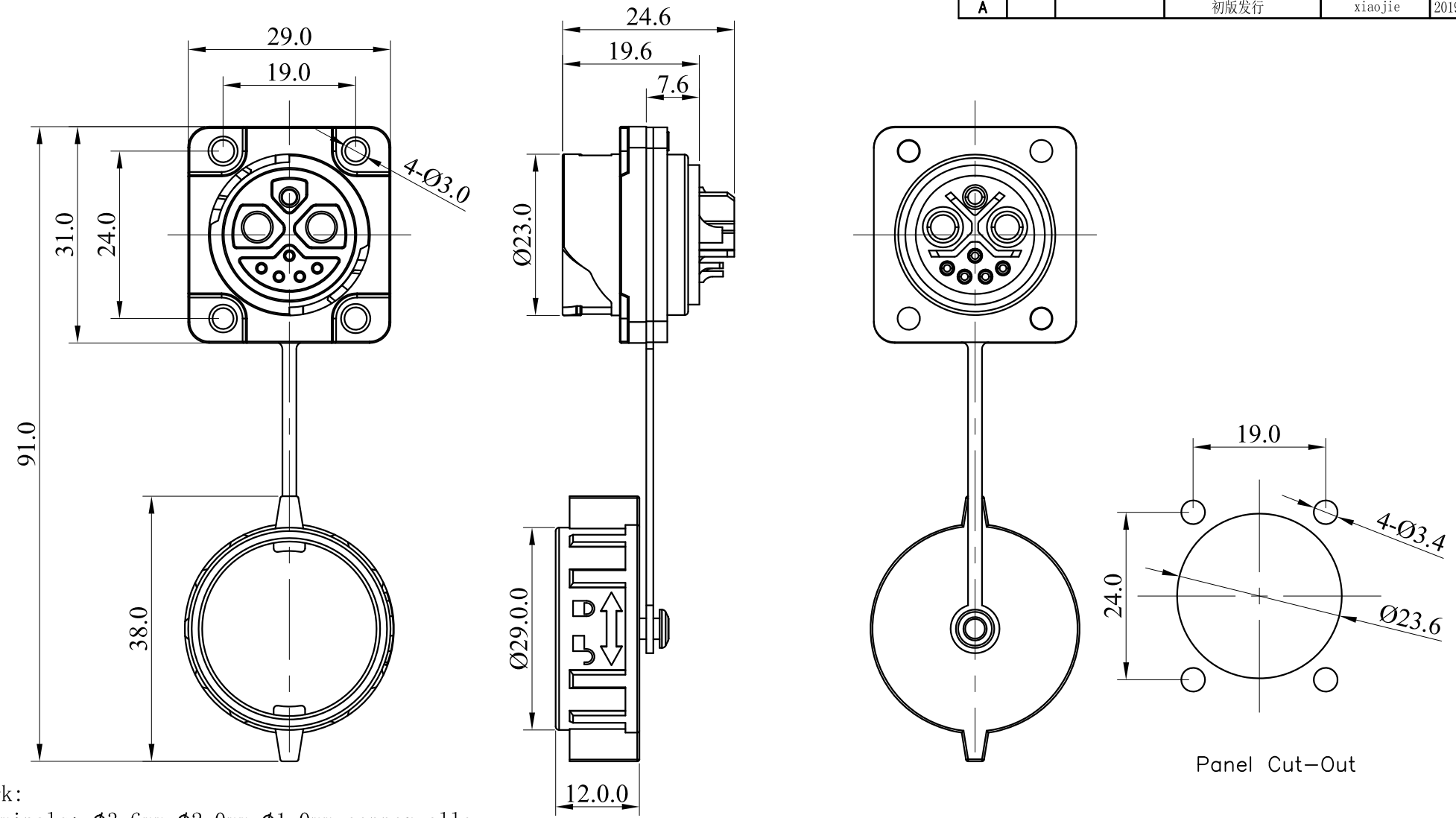


- Remark:
1. Terminals: $\phi 3.6\text{mm}$ $\phi 2.0\text{mm}$ $\phi 1.0\text{mm}$ copper alloy (gold-plated);
 2. Plastic material: Nylon;
 3. Cable: 5*22AWG+1*16AWG+2*9AWG;
 4. Protection level: IP67;
 5. Rated current: 2*50A+1*12A+5*2A;
 6. Withstanding voltage: 500V+500V+60V;
 7. Insulation resistance: >500M Ω ;
 8. RoHS compliant.
 9. Mating Cycle: 5000times

GENERAL TOLERANCE				FILE NO.	DRAWN	xiaojie	SCALE	N/A
X.	± 1.0	X.* $\pm 1'$	TITLE	M23 female square panel mount with cap type	CHECKED	DW. huang	UNITS	mm
.X	± 0.5				APPROVED	MT. chen		
.XX	± 0.2	.X* $\pm 0.5'$	PART NO	51-205352-02	DATE	2019-2-28		
.XXX	± 0.05		REV.					
SHEET	1/1	Q'TY	/	A				



REV	ZONE	ECN NO.	DESCRIPTION	DESIGN	DATE
A			初版发行	xiaojie	2019-2-28

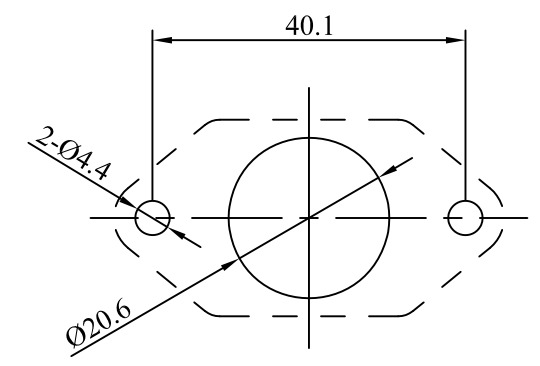
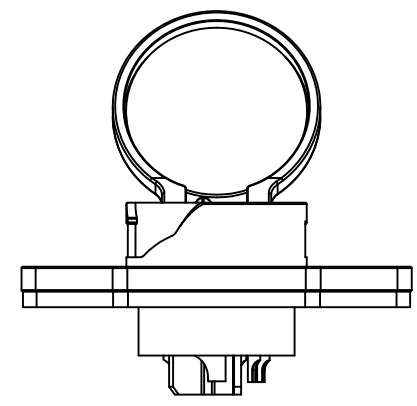
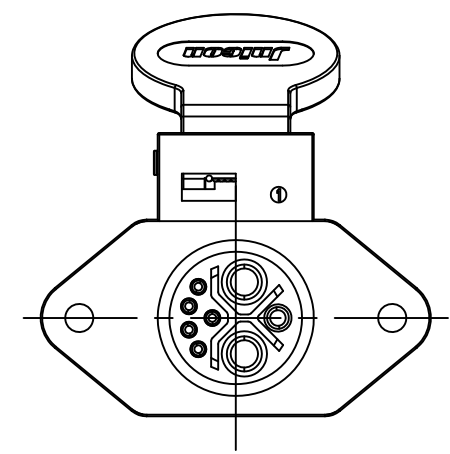
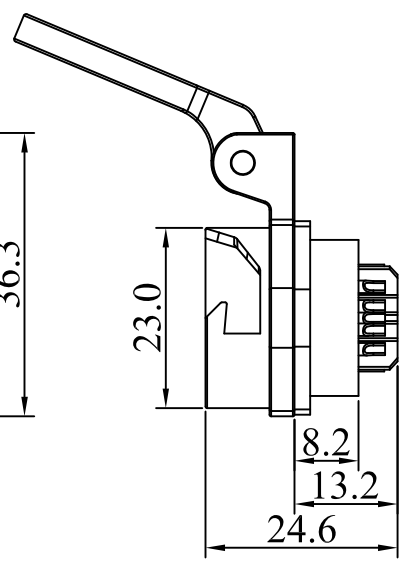
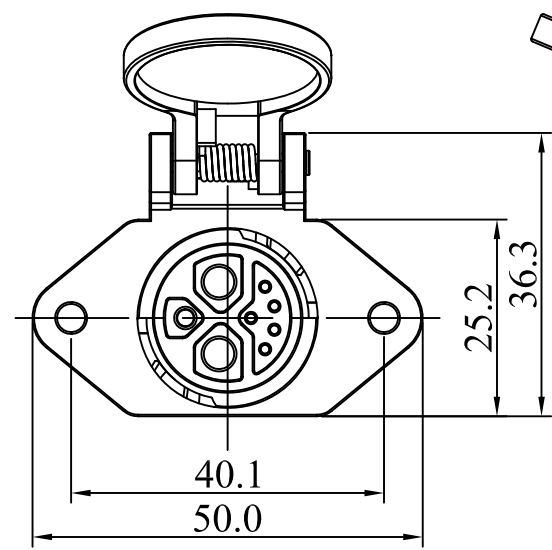


Remark:

1. Terminals: $\phi 3.6\text{mm}$ $\phi 2.0\text{mm}$ $\phi 1.0\text{mm}$ copper alloy (gold-plated);
2. Plastic material: Nylon;
3. Cable: 5*22AWG+1*16AWG+2*9AWG;
4. Protection level: IP67;
5. Rated current: 2*50A+1*12A+5*2A;
6. Withstanding voltage: 500V+500V+60V;
7. Insulation resistance: $>500\text{M}\Omega$;
8. RoHs compliant.
9. Mating Cycle: 5000 times

GENERAL TOLERANCE		FILE NO.		DRAWN		xiaojie		SCALE		N/A			
.X	± 1.0	.X*	$\pm 1^\circ$	TITLE	M23 female square panel mount with cap type	CHECKED		DW. huang		UNITS		mm	
.X	± 0.5					APPROVED		MT. chen					
.XX	± 0.2	.X*	$\pm 0.5^\circ$	PART NO	51-205352-03	DATE		2019-2-28					
.XXX	± 0.05			REV.									
SHEET	1/1	Q'TY	/	A									

REV	ZONE	ECN NO.	DESCRIPTION	DESIGN	DATE
A			Design	xiaojie	2019-2-28

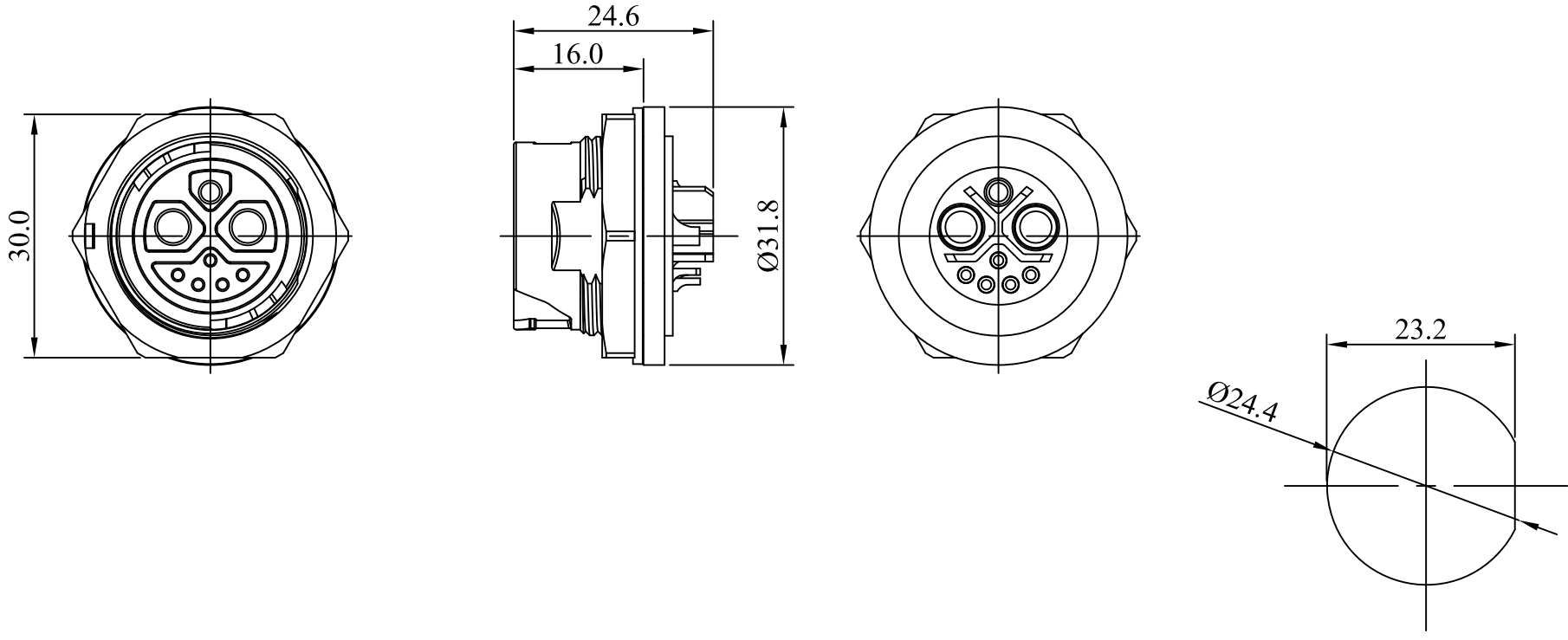


Panel Cut-Out

- Remark:
1. Terminals: $\phi 3.6\text{mm}$ $\phi 2.0\text{mm}$ $\phi 1.0\text{mm}$ copper alloy (gold-plated);
 2. Plastic material: Nylon;
 3. Cable: 5*22AWG+1*16AWG+2*9AWG;
 4. Protection level: IP67;
 5. Rated current: 2*50A+1*12A+5*2A;
 6. Withstanding voltage: 500V+500V+60V;
 7. Insulation resistance: $>500\text{M}\Omega$;
 8. RoHs compliant.
 9. Mating Cycle: 5000times

GENERAL TOLERANCE		FILE NO.		DRAWN		xiaojie		SCALE		N/A			
.X	± 1.0	.X	$\pm 1^\circ$	TITLE	M23 2+1+5 pin female rhombus socket	CHECKED		DW. huang		UNITS		mm	
.X	± 0.5					APPROVED		MT. chen					
.XX	± 0.2	.X	$\pm 0.5^\circ$	PART NO	51-205353-01	DATE		2019-2-28					
.XXX	± 0.05			REV.									
SHEET	1/1	Q'TY	/	A1									

REV	ZONE	ECN NO.	DESCRIPTION	DESIGN	DATE
A			Design	xiaojie	2019-2-28



Panel Cut-Out

- Remark:
1. Terminals: $\phi 3.6\text{mm}$ $\phi 2.0\text{mm}$ $\phi 1.0\text{mm}$ copper alloy (gold-plated);
 2. Plastic material: Nylon;
 3. Cable: 5*22AWG+1*16AWG+2*9AWG;
 4. Protection level: IP67;
 5. Rated current: 2*50A+1*12A+5*2A;
 6. Withstanding voltage: 500V+500V+60V;
 7. Insulation resistance: >500M Ω ;
 8. RoHs compliant.
 9. Mating Cycle: 5000times

GENERAL TOLERANCE		FILE NO.		DRAWN	xiaojie	SCALE	N/A
X. ± 1.0	X.* $\pm 1^\circ$	TITLE	M23 2+1+5 pin female round socket	CHECKED	DW. huang	UNITS	mm
.X ± 0.5				APPROVED	MT. chen		
.XX ± 0.2	.X* $\pm 0.5^\circ$	PART NO	51-205351-01	DATE	2019-2-28		
.XXX ± 0.05		REV.					
SHEET	1/1	Q'TY	/	A			